

# Sense 6 Magnetic non-contact safety switches

## Magnetic Actuation - Power series

Heavy Duty 230V.ac / 24V.dc 2.0A.

Switching Tolerance up to 12mm

Robust wide fitting suitable for all industry applications.

Can be high pressure hosed at high temperature - **IP69K**

Wide 12mm sensing high tolerance to misalignment.

High switching capability - Heavy Duty 2A.

Up to: PLe ISO 13849-1 SIL 3 EN 62061 Cat. 4 EN 954-1

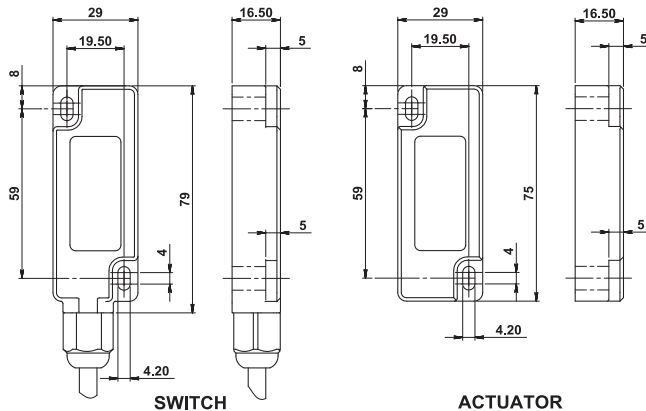


Specified to 80C, but designed to work up to 100C.

Will operate with most Safety Relays



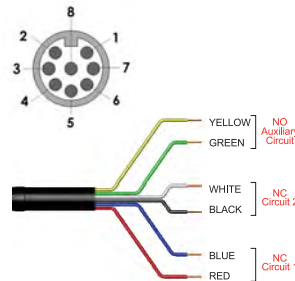
Quick Connect M12 versions fitted with 250mm (10") cable



SWITCH

ACTUATOR

Quick Connect (QC)	Standard Lead Colour	Circuit (Actuator Present)
M12 8 Way Male Plug Pin view from switch		
4	Yellow	NO
6	Green	NO
7	Black	NC2
1	White	NC2
2	Red	NC1
3	Blue	NC1



### Sense 6

2TLA050074R4100	Sense 6, 2m cable, 2NC/1NO
2TLA050074R5100	Sense 6, 5m cable, 2NC/1NO
2TLA050074R6100	Sense 6, 10m cable, 2NC/1NO
2TLA050074R2100	Sense 6, QC cable, 2NC/1NO

Standards	EN1088 IEC 947-5-3 EN 60204-1 ISO 13849-1 EN62061 EN 954-1 UL508
Safety Classification and Reliability Data:	
Mechanical Reliability B10d	3.3 x 10 <sup>6</sup> operations at 100mA load up to Category 4 with Safety Relay
EN 954-1	up to PLe depending upon system architecture
ISO 13849-1	up to SIL3 depending upon system architecture
EN 62061	
Safety Data - Annual Usage	8 cycles per hour / 24 hours per day / 365 days
PFHd	2.52 x 10 <sup>-9</sup>
Proof Test Interval (Life)	47 years
MTTFd	470 years
Heavy Duty Safety Channel 1 NC	Voltage free : 250V.ac 2.0 A Max. Rating
Safety Channel 2 NC	Voltage free : 250V.ac 2.0 A Max. Rating
Safety Channel 3 NO	Voltage free : 24V.dc 0.2 A Max. Rating
Heavy Duty Fuse	Internal 2.0 A. (F) External 1.6 A.(F) (User)
Contact release time	<2ms
Initial contact resistance	<500 milliohm
Minimum switched current	10V. dc 1mA
Dielectric withstand	250V.ac
Insulation Resistance	100 Mohms
Recommended setting gap	5mm
Switching Distance:	Sao 10mm Close
(Target to target)	Sar 22mm Open
Tolerance to misalignment	5mm in any direction from 5mm setting gap
Switching frequency	1.0 Hz maximum
Approach speed	200mm/m. to 1000mm/s.
Body Material	UL approved polyester
Temperature Range	-25 +80C.
Enclosure Protection	IP69K (NEMA PW12) IP67 (NEMA 6)
Shock Resistance	IEC 68-2-27 11ms 30g
Vibration Resistance	IEC 68-2-6 10-55 Hz. 1mm
Cable Type	PVC 6 core 6mm O.D.
Mounting Bolts	2 x M4 Tightening torque 1.0 Nm
Mounting Position	Any

For all ABB Jokab Safety switches the NC circuits are closed when the guard is closed and the actuator present